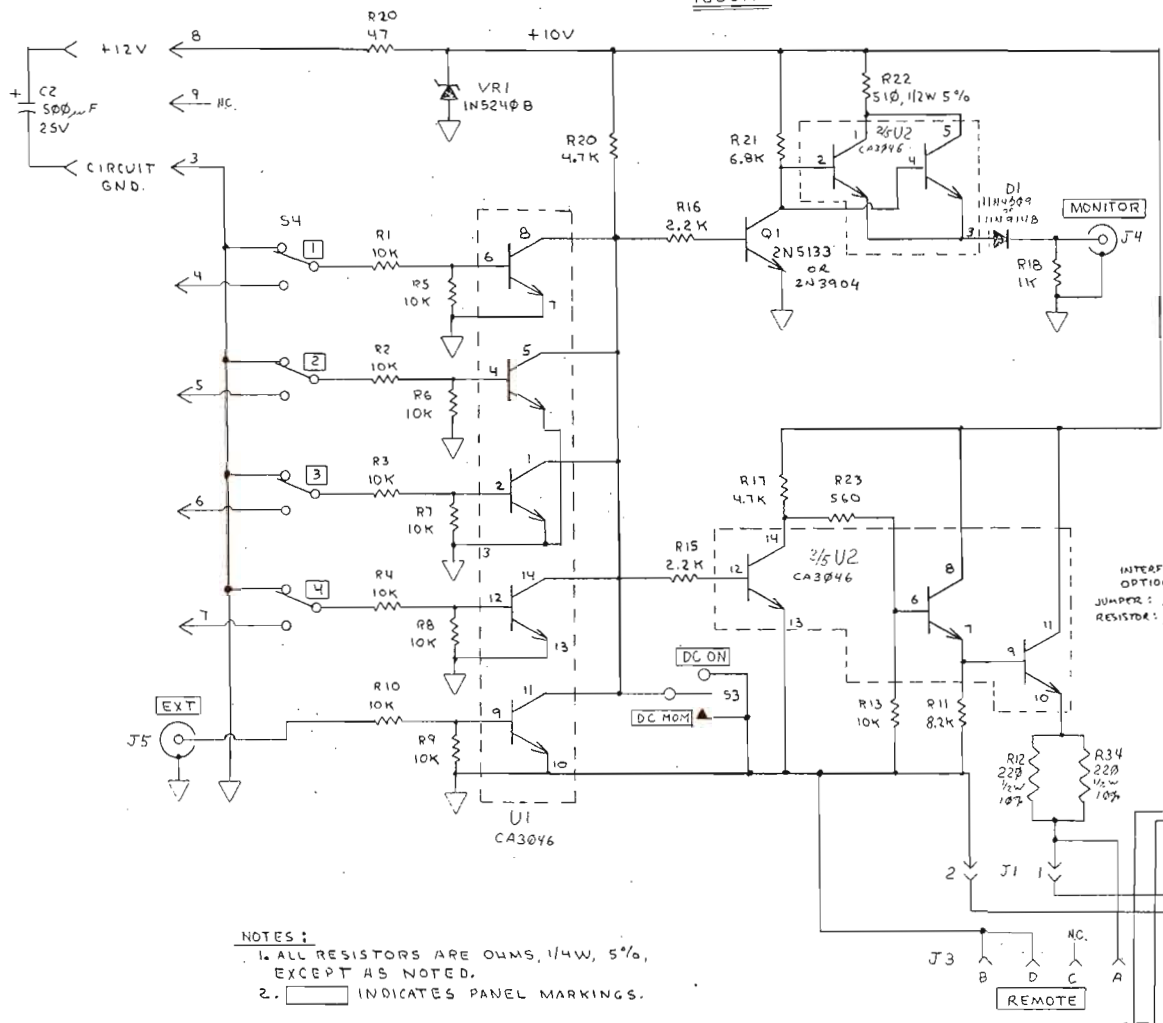


DATE	BY	REVISION	RECORD	APP'D	OR	OK
1-18	A	S3 WAS 2N3114	BTM			
4-75	B	Q3 WAS 2N3114				
3-80		Change Q2 To PN4916				
		was 2N4916				
3/11/71	C	ECN No. 95				
10/15/71	D	ECN 289				

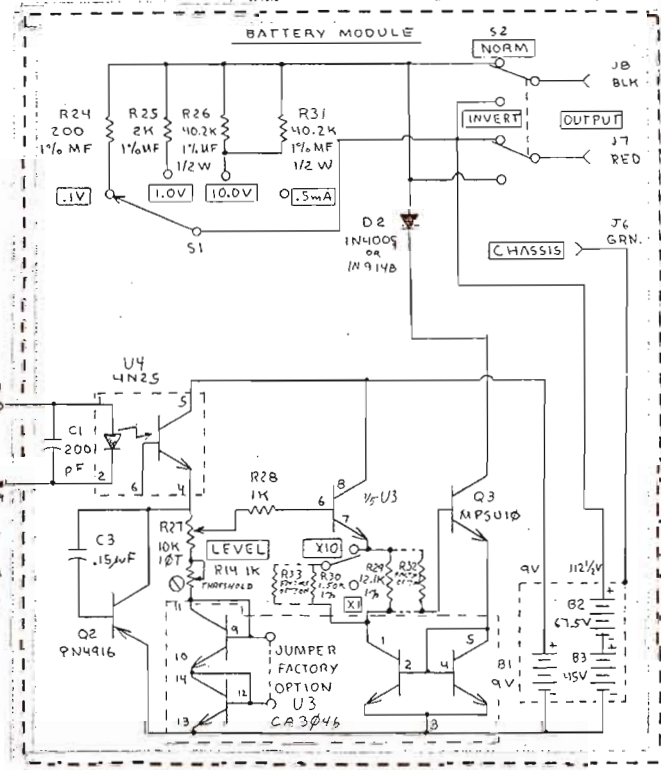
WARNING: This print is the property of W.P.I., Inc. It is strictly confidential and if loaned, it is with the understanding that neither it nor any information contained therein will be copied, published, or transmitted to others.

1850A



- NOTES:
1. ALL RESISTORS ARE OHMS, 1/4W, 5%, EXCEPT AS NOTED.
 2. [] INDICATES PANEL MARKINGS.

850A/A350D



INTERFACE OPTIONS:
JUMPER: 850A
RESISTOR: A350D

CONNECTION OPTIONS:
850A

A350D

TOLERANCES UNLESS T.A.S. NOTED		W-P INSTRUMENTS, INC.	
SCALE	DRAWN BY C.F.G.	APPROVED BY	
FUNCTIONAL TITLE: 850A/A350D SIMILAR TO REGULATOR AND 1850A DRIVER SCHEMATIC			
DATE	DRAWING NUMBER		
9-18-73	C3127D		

930-576